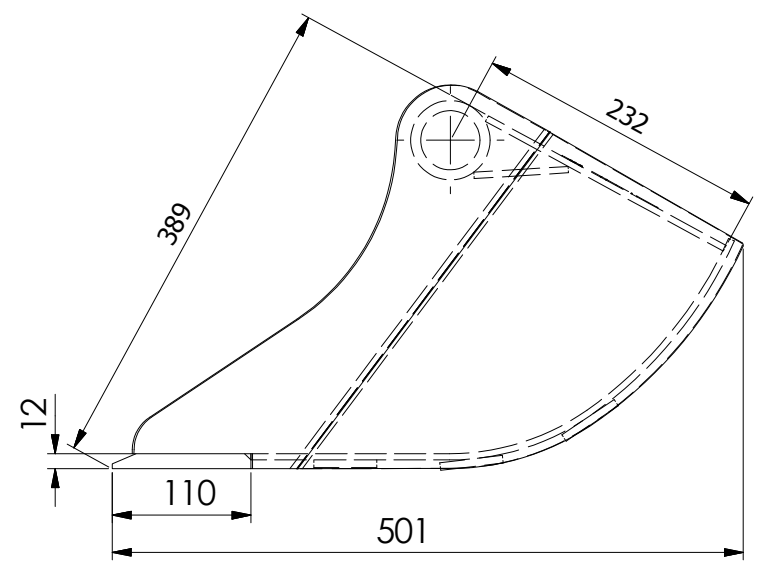
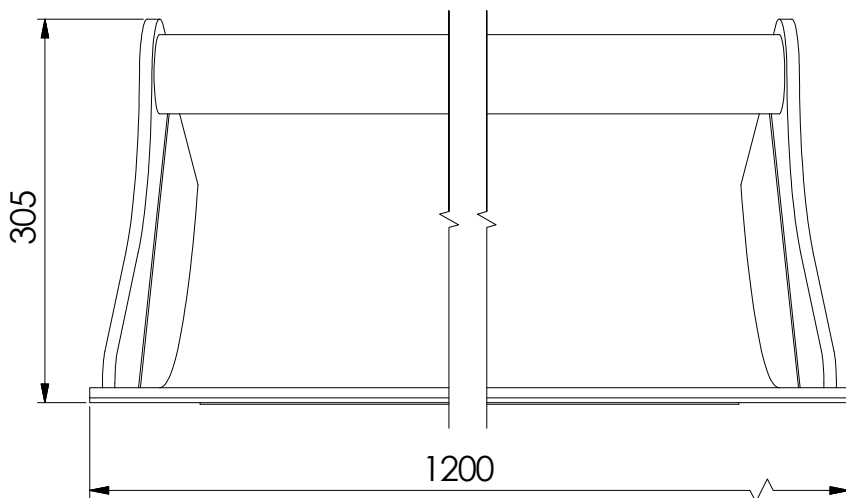
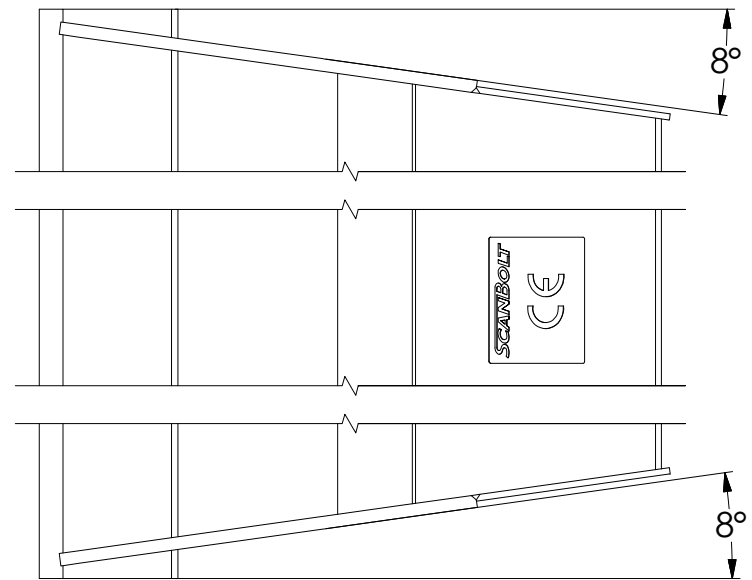


8 7 6 5 4 3 2 1



**MATERIAL SPECIFICATION**

ST52.3
EN8D
HB 400
HB 450
CASTALLOY STEEL

**SCANBOLT®**

DESCRIPTION	120CM CLEANING BUCKET
MACHINE CLASS	1.3 - 2.4 TON
WEIGHT	73.3 Kg
HEAPED CAPACITY	107.9 LITERS

8 7 6 5 4 3 2 1